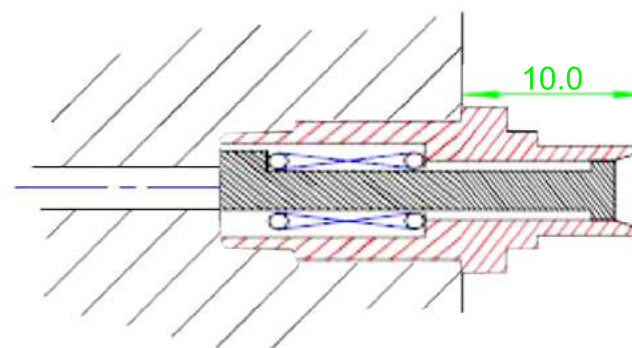
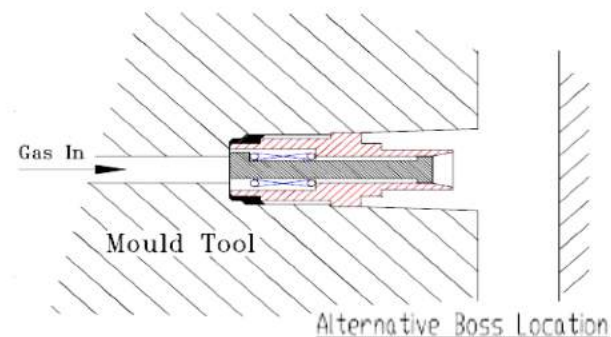


Scale: 3:1

Static 10mm Nozzle Location
(h7/F8 class fit is to be used on 8.3φ of Cap.)



©
The copyright of this drawing is the property of NSB Lda.
Furthermore confidential information may be included.
On no occasion may this drawing disclosed to third party
or copied in any form, either in whole or in part.

| | | |
|-----------------------------|------------------------------------|--|
| Desenho ref. NSB 10F-Loc | Sheet: 1 of 1 | Tolerancias dimensionais: +/- 0,1mm |
| Cliente: NSB, Lda | | |
| Nome artigo: | Localização de injector de 10mm | Date: 05-09-2010 |